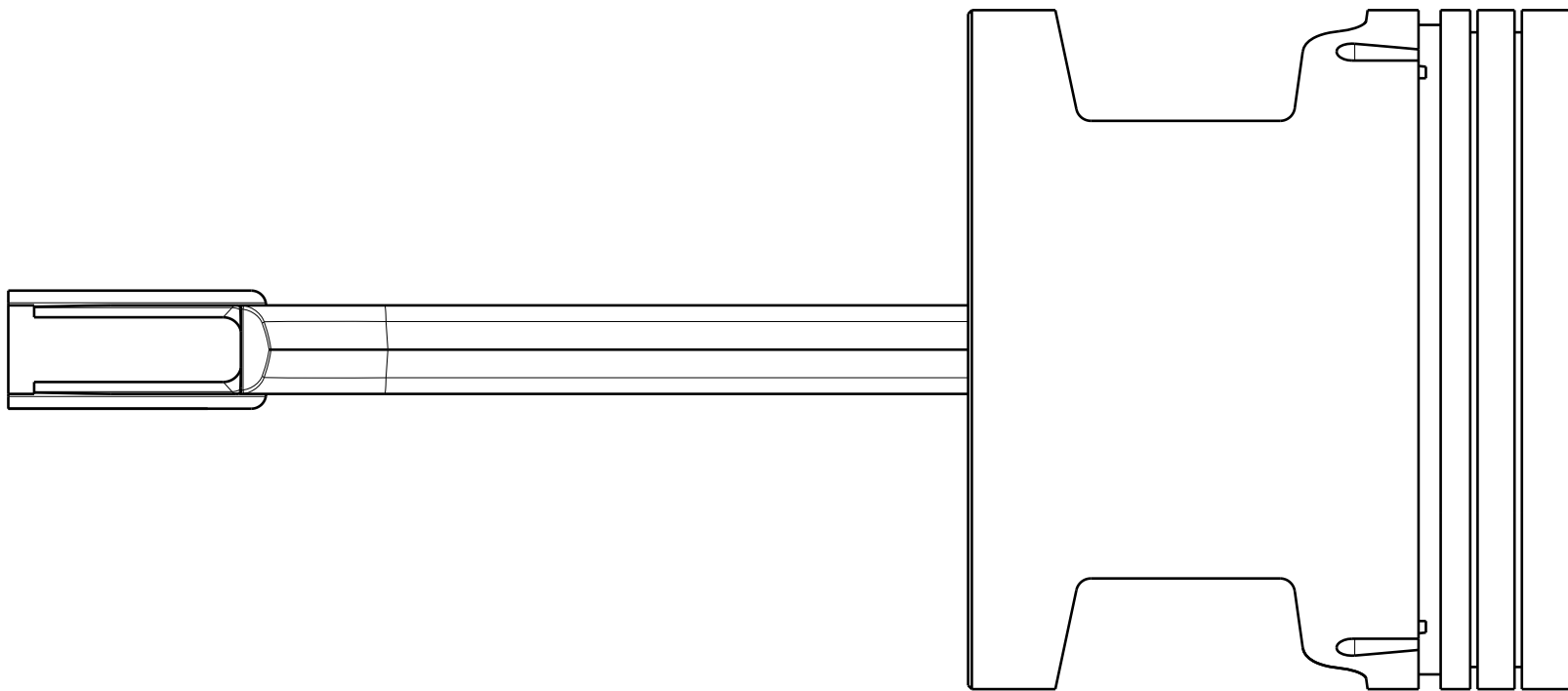


D

C

B

A



Top view
Scale: 1:1

DESIGNED BY: s1210445035				I	-
DATE: 22.01.2013				H	-
CHECKED BY: XXX				G	-
DATE: XXX				F	-
SIZE A4		IPM PDM MANISH ABRAHAM		E	-
SCALE 1:1	WEIGHT (kg) 0,42			D	-
DRAWING NUMBER Manish Abraham		SHEET 1 / 2		C	-
This drawing is our property; it can't be reproduced or communicated without our written agreement.				B	-
				A	-

D

A

4

3

2

1

4

3

2

1